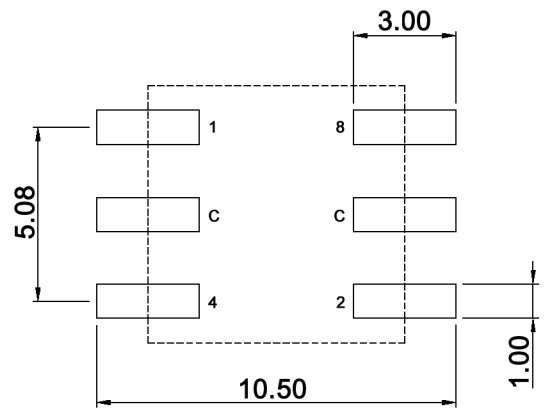


P.C.B. DIMENSION



BCD

		Real coded				
		C	1	2	4	8
10 P o s i t i o n s	0	●				
	1	●	●			
	2	●		●		
	3	●	●	●		
	4	●			●	
	5	●	●			
	6	●		●	●	
	7	●	●	●	●	
	8	●				●
	9	●	●			●

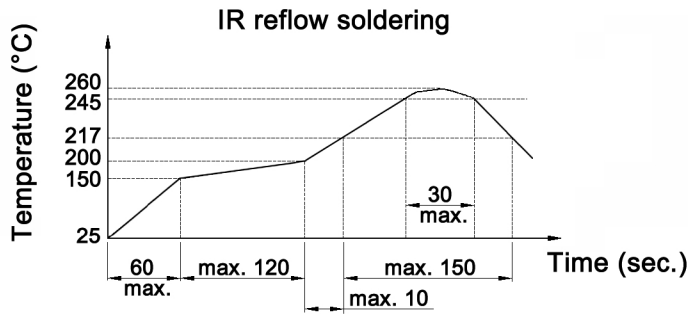
Compliance: RohS III (2015/863/EU)

Tolerances: DIN ISO-2768-1m 0.5-6: ±0.1 mm 6-30: ±0.2 mm	Date	Name	<h1>SMR 16010</h1>
	10/08	dr	
Torque	05/24	dr	
Packaging	02/15	dr	
Packaging	05/10	dr	<h2>30 16 20</h2>
Soldering conditions	10/09	dr	
Material	05/09	dr	Page 1/3
Modifications	Date	Name	

knitter-switch

Specifications:

Contact rating: non-switching: 400mA, 42V
switching: 100mA, 42V
Contact resistance: 80mOhm max.
Insulation resistance: 100MOhm min. at 250V DC for 1 minute +/-5sec.
Dielectric strength: 250V DC (50Hz/60Hz) for 1 minute
Operating temperature: -50°C to +125°C
Storage temperature: -55°C to +135°C
Mechanical life: 25 000 cycles
Operating force: 2.5 Ncm max.
Material: Cover / spring plate / guide plate: stainless steel
Contact / terminal: phosphor bronze, min. 0.07µm gold plated
over min. 0.3µm nickel
Rotor / base: LCP, UL94V-0
O-ring: silicone
Actuator color: pink
Protection: IP67
Soldering conditions:

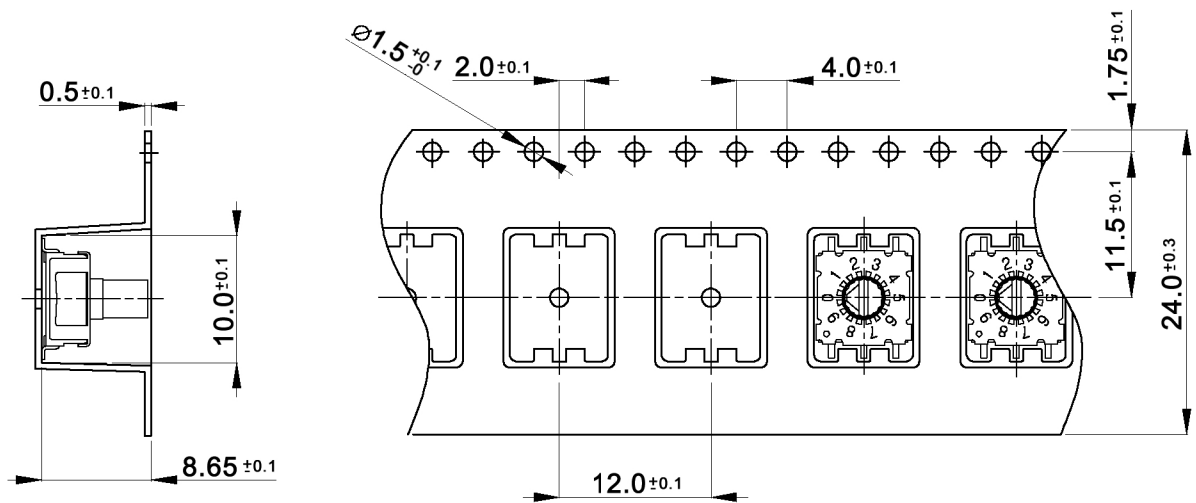
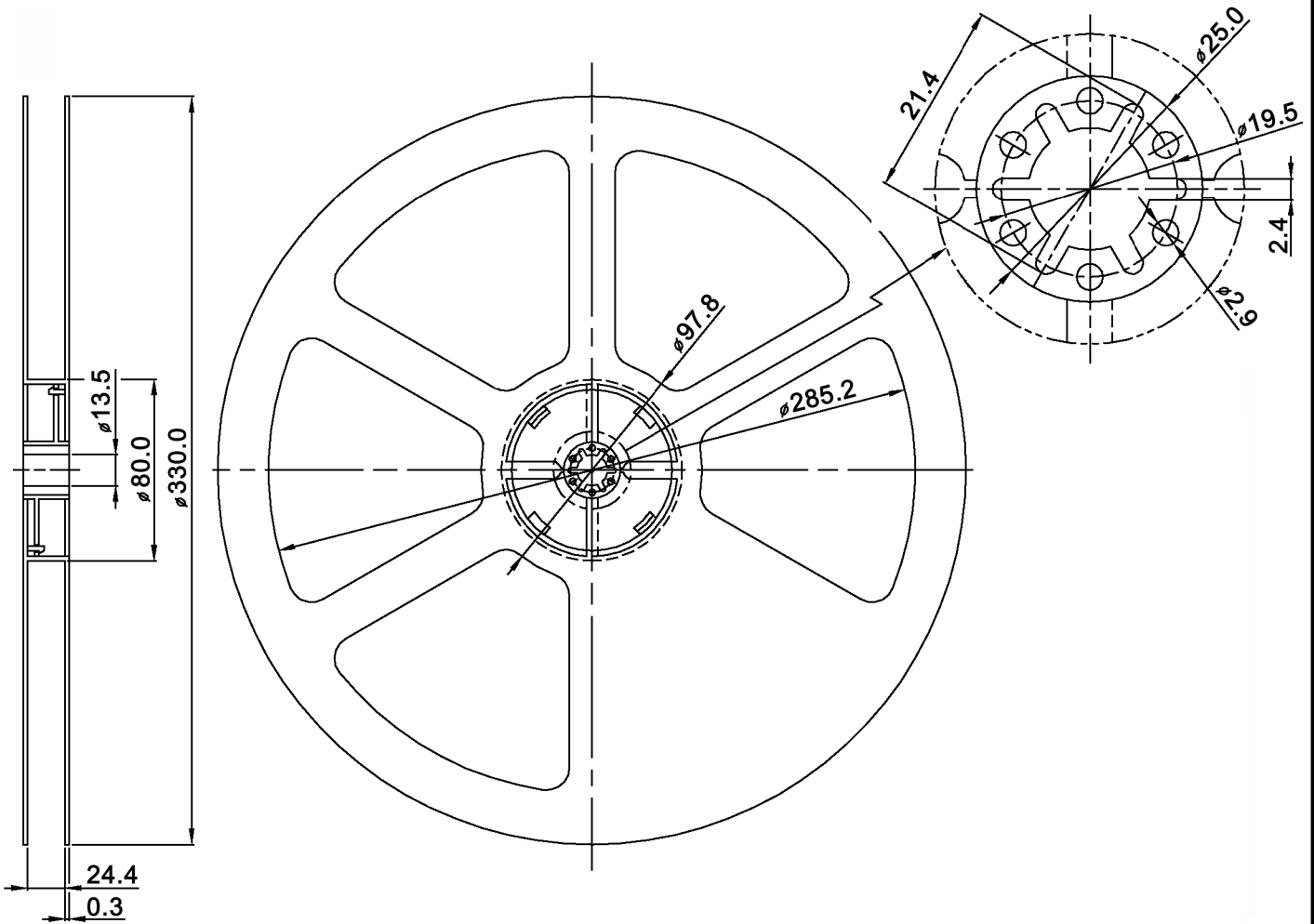


Type	Packaging unit
SMR 16010	70 pcs. per stick
SMR 16010 T	600 pcs. per reel

Compliance: RohS III (2015/863/EU)

Tolerances: DIN ISO-2768-1m 0.5-6: ±0.1 mm 6-30: ±0.2 mm	Date	Name	<h1>SMR 16010</h1>
	10/08	dr	
Torque	05/24	dr	
Packaging	02/15	dr	
Packaging	05/10	dr	
Soldering conditions	10/09	dr	<h2>30 16 20</h2>
Material	05/09	dr	
Modifications	Date	Name	
knitter-switch			Page 2/3

Packaging:



Compliance: RohS III (2015/863/EU)

Tolerances:		Date	Name	<h1>SMR 16010</h1>
		05/10	dr	
Torque	05/24	dr		
Packaging	02/15	dr		
Packaging	05/10	dr		<h1>30 16 20</h1>
Soldering conditions	10/09	dr	knitter-switch	
Material	05/09	dr		
Modifications	Date	Name		Page 3/3